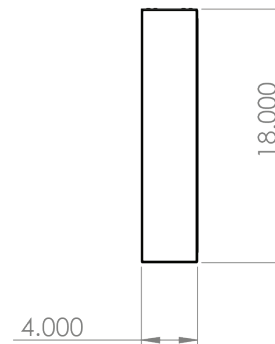
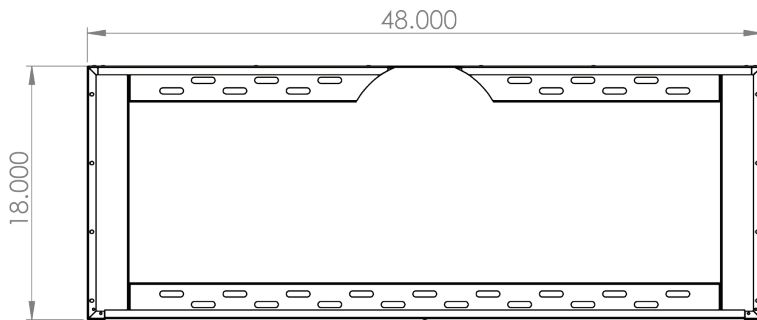
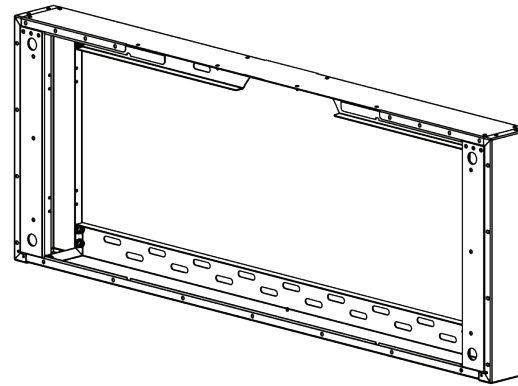
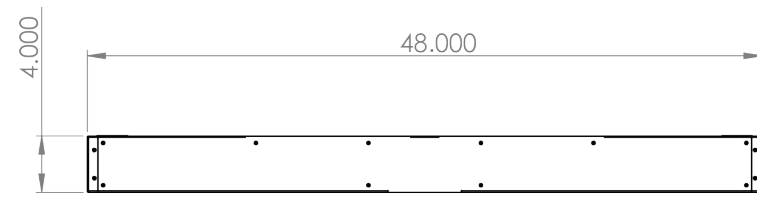


TrueFlame 4" Mounting Bracket for 48" Vent Hood

SKU: SSVH-48-SP4

NOTES



DISCLAIMER

We recommend adding a 1/4" (.25) to the inner dimension to ensure the unit fits properly in the build out.